

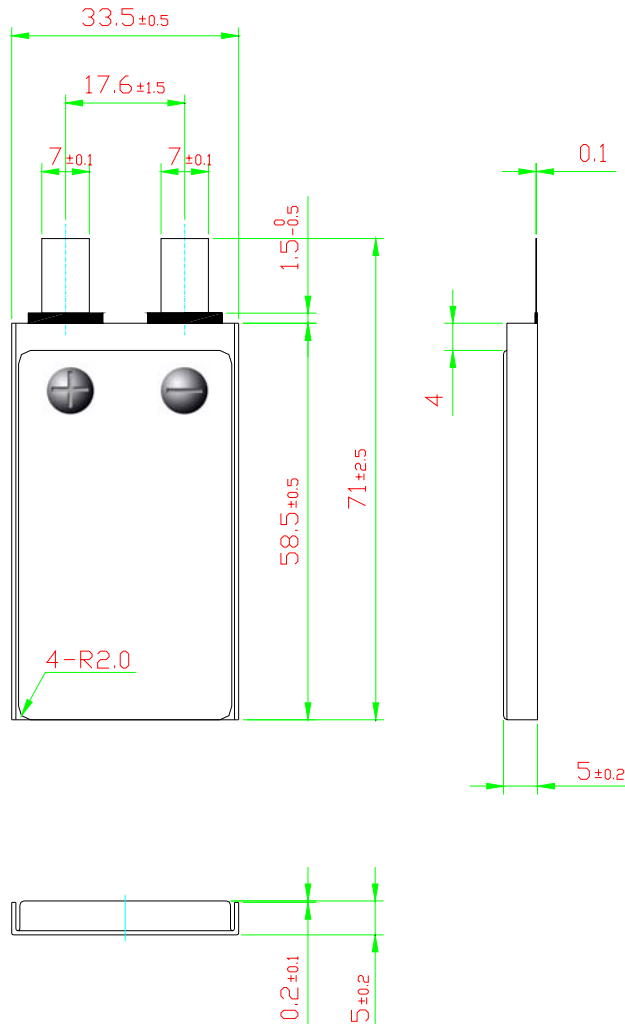
# Cell Specification Data

**SLPB 533459H4**



**Kokam Co., Ltd.**

## Cell Specification



● Typical Capacity <sup>1)</sup>		<b>740 mAh</b>
● Nominal Voltage		<b>3.7 V</b>
● Charge Condition	Max. Current	<b>1.48 A</b>
	Voltage	<b>4.2V ± 0.03V</b>
● Discharge Condition	Continuous Current	<b>14.80 A</b>
	Peak Current	<b>29.60 A</b>
	Cut-off Voltage	<b>2.7 V</b>
● Cycle Life		<b>&gt; 500 Cycles</b>
● Operating Temp.	Charge	<b>0 ~ 40 °C</b>
	Discharge	<b>-20 ~ 60 °C</b>
● Dimension	Thickness (mm)	<b>5.0 ± 0.2</b>
	Width (mm)	<b>33.5 ± 0.5</b>
	Length (mm)	<b>58.5 ± 0.5</b>
● Weight (g)		<b>19.5 ± 0.5</b>

1) Typical Capacity : 0.5C, 4.2 ~ 2.7V @25°C