

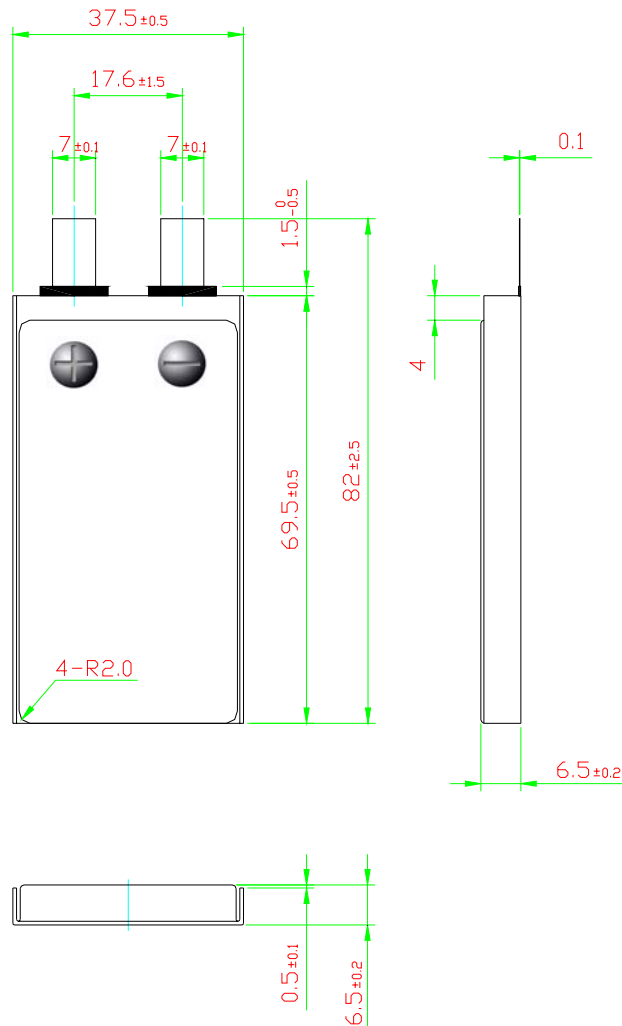
# Cell Specification Data

**SLB 603870H**



**Kokam Co., Ltd.**

## Cell Specification



● Typical Capacity <sup>1)</sup>		<b>1.5 Ah</b>
● Nominal Voltage		<b>3.7 V</b>
● Charge Condition	Max. Current	<b>3.0 A</b>
	Voltage	<b><math>4.2V \pm 0.03V</math></b>
● Discharge Condition	Continuous Current	<b>12.0 A</b>
	Peak Current	<b>24.0 A</b>
	Cut-off Voltage	<b>2.7 V</b>
● Cycle Life		<b>&gt; 500 Cycles</b>
● Operating Temp.	Charge	<b>0 ~ 40°C</b>
	Discharge	<b>-20 ~ 60 °C</b>
● Dimension	Thickness (mm)	<b><math>6.5 \pm 0.2</math></b>
	Width (mm)	<b><math>37.5 \pm 0.5</math></b>
	Length (mm)	<b><math>69.5 \pm 0.5</math></b>
● Weight (g)		<b><math>32.0 \pm 1.0</math></b>

1) Typical Capacity : 0.5C, 4.2 ~ 2.7V @25°C,