

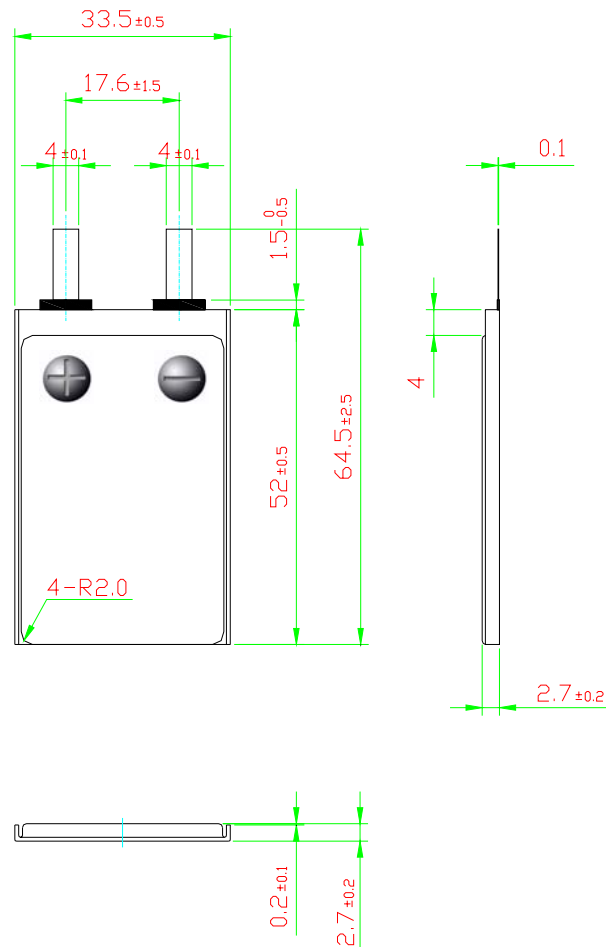
Cell Specification Data

SLPB 283452H



Kokam Co., Ltd.

Cell Specification



● Typical Capacity ¹⁾		350 mAh
● Nominal Voltage		3.7 V
● Charge Condition	Max. Current	0.7 A
	Voltage	4.2V ± 0.03 V
● Discharge Condition	Continuous Current	7.0 A
	Peak Current	14.0 A
	Cut-off Voltage	2.7 V
● Cycle Life		> 500 Cycles
● Operating Temp.	Charge	0 ~ 40 °C
	Discharge	-20 ~ 60 °C
● Dimension	Thickness (mm)	2.7 ± 0.2
	Width (mm)	33.5 ± 0.5
	Length (mm)	52.0 ± 0.5
● Weight (g)		10.0 ± 0.5

1) Typical Capacity : 0.5C, 4.2 ~ 2.7V @25°C,